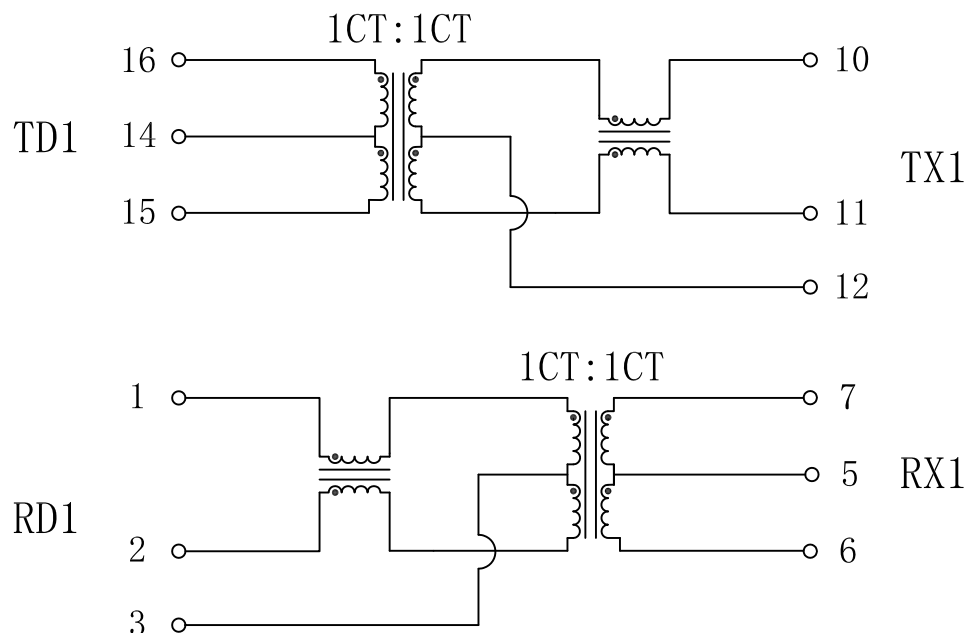


Schematic:

REV.	ECN NO.	DESCRIPTION	DATE	APPD
A	REL		2010/07/15	



Electrical Specifications @25°C

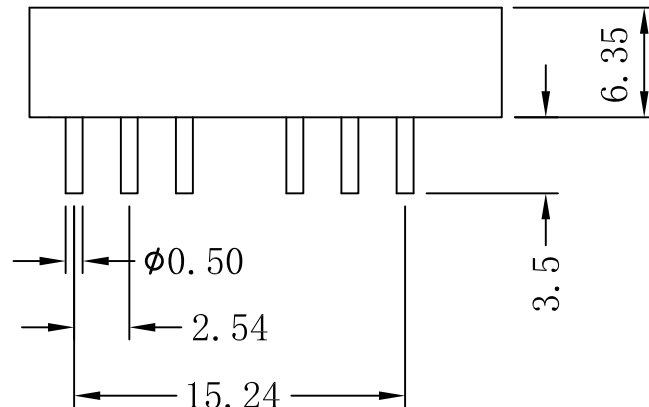
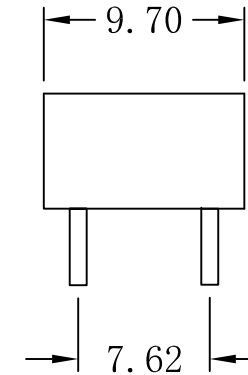
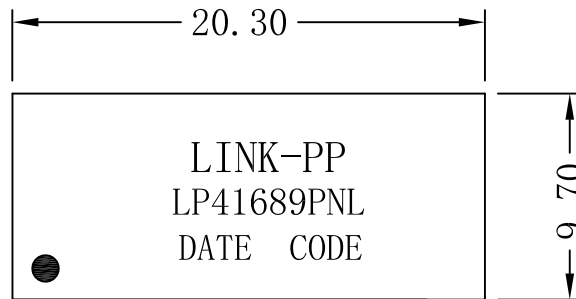
- Turns Ratio($\pm 5\%$):
TX=1CT:1CT RX=1CT:1CT
- OCL(@100KHz, 0.1Vrms, 8mADC Bias):
350uH Min
- Insertion Loss:
0.3-100MHz: -1.1dB Max
- Return Loss:
0.3-30MHz: -16dB Min
40MHz: -14dB Min
50MHz: -13.5dB Min
60-100MHz: -10dB Min
- Crosstalk:
0.3-60MHz: -40dB Min
60-100MHz: -30dB Min
- DCMR:
0.3-30MHz: -40dB Min
60MHz: -35dB Min
80-100MHz: -30dB Min
- Hi-Pot: 1500Vrms MIN
- Operating Temperature: 0°C ~ 70°C.



X:X	APPD:	LINK-PP INT'L TECHNOLOGY CO., LIMITED		
X:XX	± 0.25	CHKD:	TITLE: 10/100 Base-T Transformer	
X:XXX		DR: TOM	PART NO.: LP41689PNL	
ANGLES	$\pm 1^\circ$	UNIT: mm		
	SCALE: 2/1	SHEET: 1/2	REV: A	DWG NO.: LP10071501

Mechanical:

REV.	ECN NO.	DESCRIPTION	DATE	APPD
A	REL		2010/07/15	



NOTES:

1. Designed to support application, such as SOHO (ADSL modems), LAN-on-Motherboard (LOM), hub and Switches.
2. With various Turns Ratios.
3. RoHS "NL" peak solder rating 245°C.
4. UL Certification: File Number E484635.



X:X	APPD:	LINK-PP INT'L TECHNOLOGY CO., LIMITED		
X:XX	±0.25	CHKD:	TITLE: 10/100 Base-T Transformer	
X:XXX		DR: TOM	PART NO.: LP41689PNL	
ANGLES	±1°	UNIT: mm	DWG NO.: LP10071501	
	SCALE: 2/1	SHEET: 2/2	REV: A	