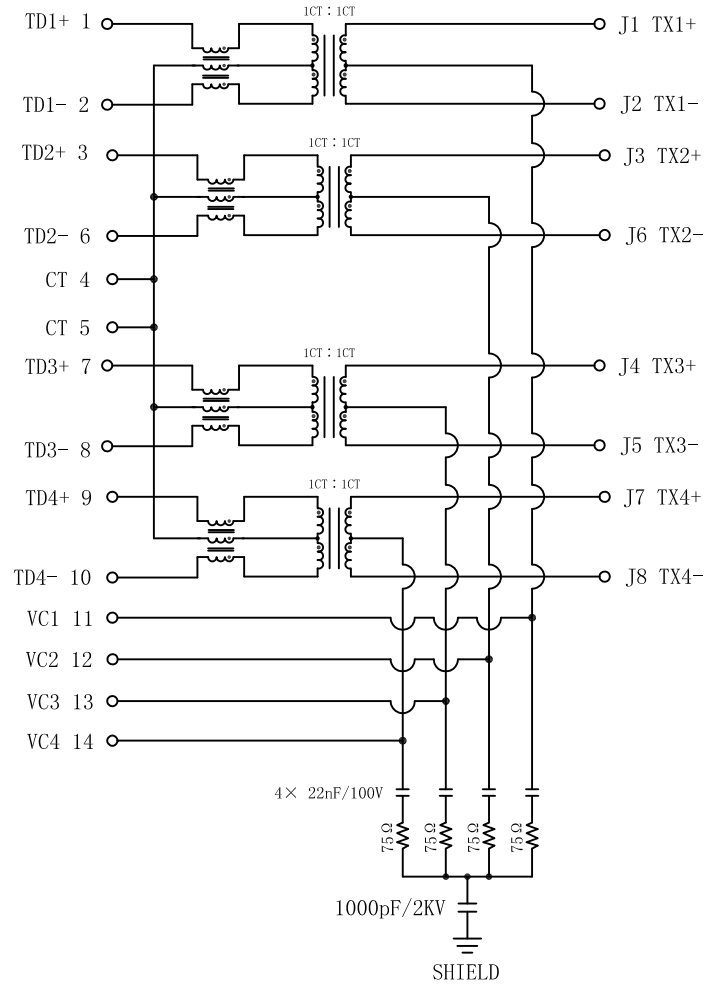


# Schematic:

REV.	ECN NO.	DESCRIPTION	DATE	APPD
A	REL		2020-11-23	

PC BOARD CONNECTIONS

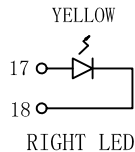
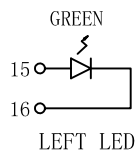


RJ45 CONNECTOR

## ELECTRICAL SPECIFICATIONS @25°C

- Turn Ratio ( $\pm 5\%$ ):  
Pri : Sec = 1CT : 1CT
- Inductance OCL:  
220uH MIN @100KHz/0.1V, 8mA DC Bias
- Insertion Loss:  
-1.0dB MAX @ 1-100MHz  
-1.2dB MAX @ 100-125MHz
- Return Loss:  
-22dB MIN @ 1-40MHz  
-12dB MIN @ 40-200MHz
- Cross talk:  
-25dB MIN @ 1-125MHz
- Common to Common Mode Rejection:  
-25dB MIN @ 1-200MHz
- DC Current/Voltage Rating pse Pins:  
60W (four pairs) MAX@720mA  
30W (two pairs) MAX@720mA
- Hipot Test: 1500Vrms MIN
- Operating Temperature: 0°C to 70°C.

Emitting Color	$\lambda_p$ (nm)	V <sub>F@I<sub>F</sub></sub> =20mA	IR @VR=5V
GREEN	565	1.8~2.6V	10 $\mu$ A max
YELLOW	585	1.8~2.6V	10 $\mu$ A max



X:X	$\pm 0.25$	APPD:	LINK-PP INT'L TECHNOLOGY CO., LIMITED	
X:XX	$\pm 0.20$	CHKD:	TITLE: RJ45 Connector with 2.5 Base-T Integrated Magnetics For PoE+ Application	
X:XXX	$\pm 0.05$	DR: TOM		
ANGLES	$\pm 1^\circ$	UNIT: mm	PART NO.: LPJM0951HENL	
	SCALE: 2/1	SHEET: 1/2	REV: A	DWG NO.: LP20112301

