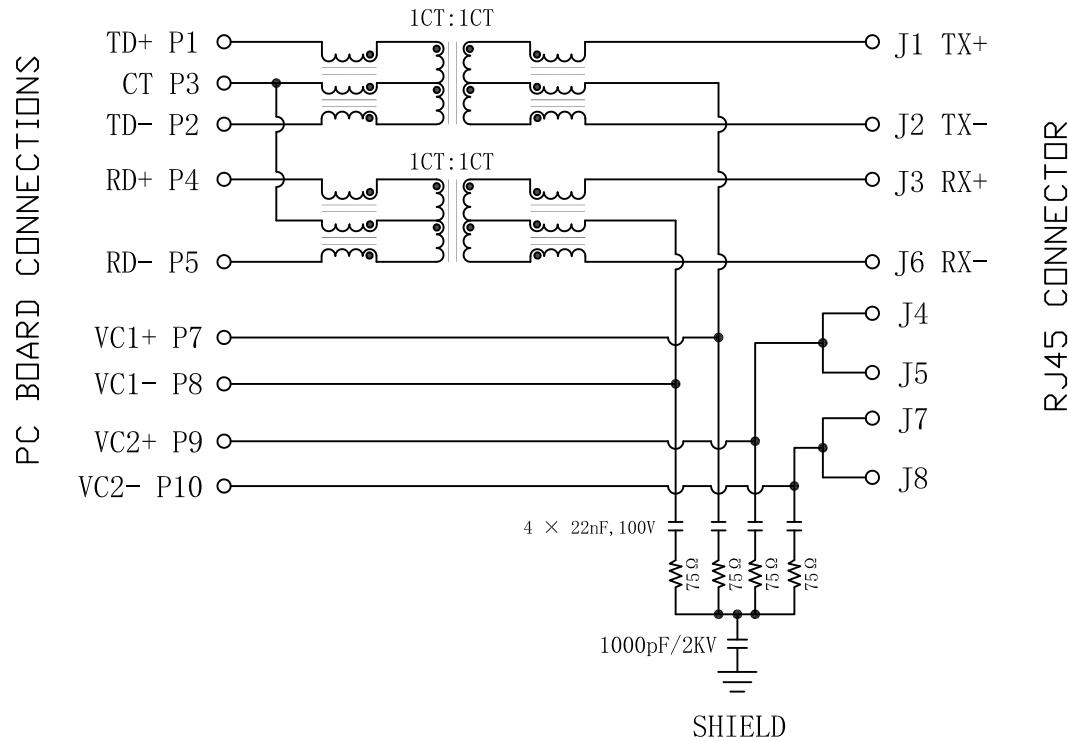


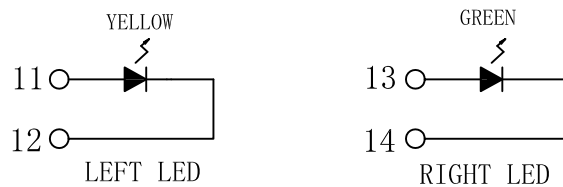
# Schematic:

REV.	ECN NO.	DESCRIPTION	DATE	APPD
A	REL		2009/07/15	



## ELECTRICAL SPECIFICATIONS @25°C

- Turn Ratio:  
 $(P1-P2) : (J1-J2) = 1:1 \pm 2\%$   
 $(P4-P5) : (J3-J6) = 1:1 \pm 2\%$
- Inductance :  
 J1-J2 : 350uH MIN @100KHz, 100mVAC, 8mADC, LP  
 J3-J6 : 350uH MIN @100KHz, 100mVAC, 8mADC, LP
- Insertion Loss:  
 -1.0dB MAX @ 1-100MHz
- Return Loss:  
 -18dB MIN @ 1-30MHz  
 -16dB MIN @ 30-45MHz  
 -14dB MIN @ 45-60MHz  
 -12dB MIN @ 60-80MHz
- Cross talk:  
 -35dB MIN @ 1-100MHz
- Common Mode Rejection:  
 -35dB MIN @ 1-100MHz  
 -25dB MIN @ 100-500MHz
- Hipot Test(P1-J1): 1500Vrms
- Operating Temperature Range: 0°C TO 70°C.



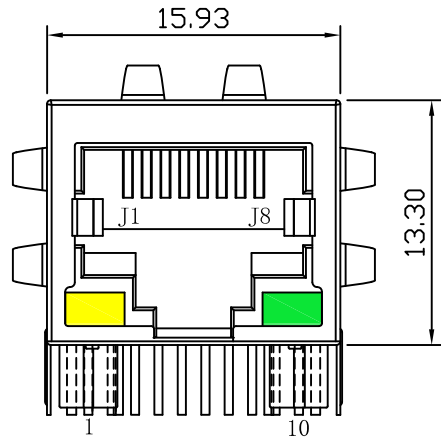
Emitting Color	$\lambda$ p(nm)	VF@IF=20mA	IR @VR=5V
GREEN	565	1.8~2.6V	10 $\mu$ A max
YELLOW	585	1.8~2.6V	10 $\mu$ A max



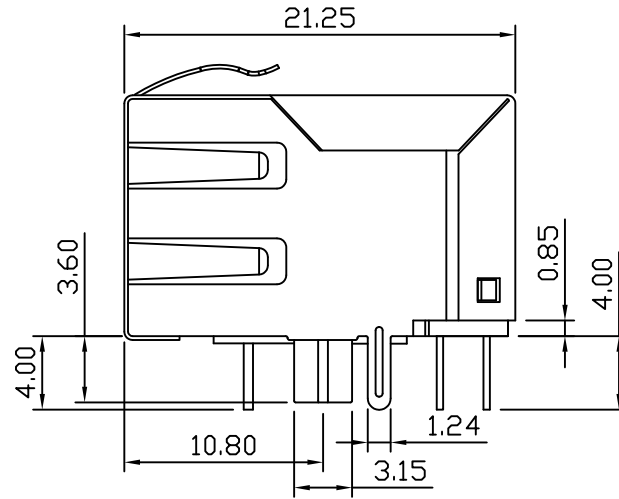
X:X	$\pm 0.30$	APPD:	LINK-PP INT'L TECHNOLOGY CO., LIMITED	
X:XX	$\pm 0.25$	CHKD:	TITLE: RJ45 Connector with 10/100 Base-TX Integrated Magnetics For PoE+ Application	
X:XXX	$\pm 0.05$	DR: TOM	PART NO. : LPJ0123GDNL	
ANGLES	$\pm 1^\circ$	UNIT: mm	DWG NO. : LP09071516	
	SCALE: 2/1	SHEET: 1/2	REV: A	

# Mechanical:

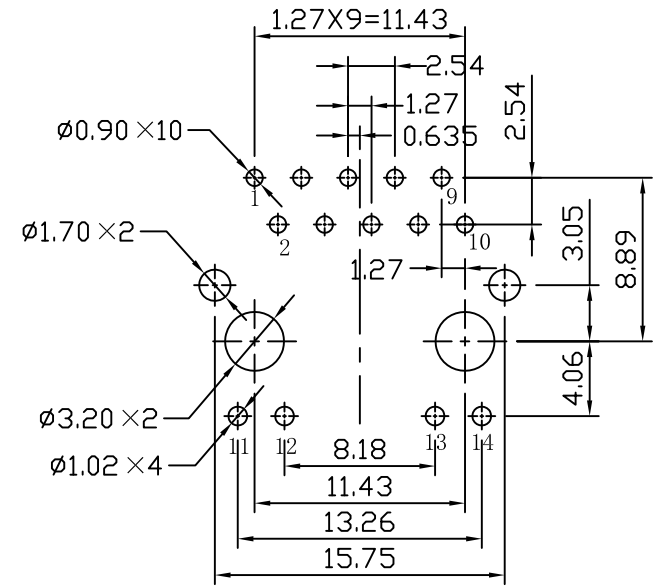
REV.	ECN NO.	DESCRIPTION	DATE	APPD
A	REL		2009/07/15	



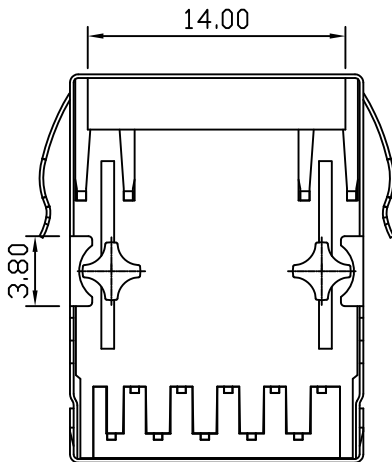
Front Side View



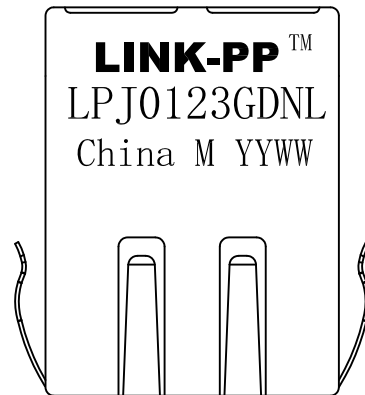
Left Side View



Suggested PCB Layout (Top View)



Bottom Side View



Top Side View

### NOTES:

1. Designed to support application, such as SOHO (ADSL modems), LAN-on-Motherboard (LOM), hub and Switches.
2. Designed for PoE+, IEEE802.3at applications
3. Power on used or unused pairs for up to 600mADC.
4. Connector Materials:  
 Housing: Thermoplastic PBT+30%G.F UL94V-0  
 Contact: Phosphor Bronze C5210R-EH Thickness=0.35mm  
 Pins: Brass C2680R-H Thickness=0.35mm  
 Shield: SUS 201-1/2H Thickness=0.2mm  
 Contact plating: Gold 6 micro-inches min. In contact area.
5. Wave solder tip temperature: 265°C Max, 5 Sec Max.
6. UL Certification: File Number E484635.

X:X	±0.30	APPD:	LINK-PP INT'L TECHNOLOGY CO., LIMITED
X:XX	±0.25	CHKD:	
X:XXX	±0.05	DR: TOM	TITLE: RJ45 Connector with 10/100 Base-TX Integrated Magnetics For PoE+ Application
ANGLES	±1°	UNIT: mm	PART NO.: LPJ0123GDNL
	SCALE: 2/1	SHEET: 2/2	REV: A DWG NO.: LP09071516